

Fountain Pump e-finity P-Tec 18



Artikel-Nr. 156 / 005180
EAN-Code 4016881 01123-9

Technical Data

Q max. 17.300 l/h | 288 l/min
H max. 11,0 m
Power consumption max. 180 watts
Supply voltage 230 V / 50 Hz
Cable 2 m
Pump connection cable 10 m incl. plug connection
Safety class pump IP 68
Safety class controller IP X4
Quality mark EMC, GS
Impeller Vortex
Motor infinitely electronically controllable DC motor
Warranty 5 years (incl. rotor unit and controller)
Grain size up to Ø 3 mm



Material

Pump plastic housing (moulded in synthetic resin)
Pump housing stable, fibreglass-reinforced
Splitting tube, screws stainless steel
Bearing ceramic
Cable S05 RN8-F

Dimensions

Pump L x W x H (mm) 235 x 136 x 187
Controller Ø x H (mm) 175 x 80
Board L x W x H (mm) 390 x 290 x 263
Pumps per pallet 48
Connection G 2" - E
Intake connection G 2" - E

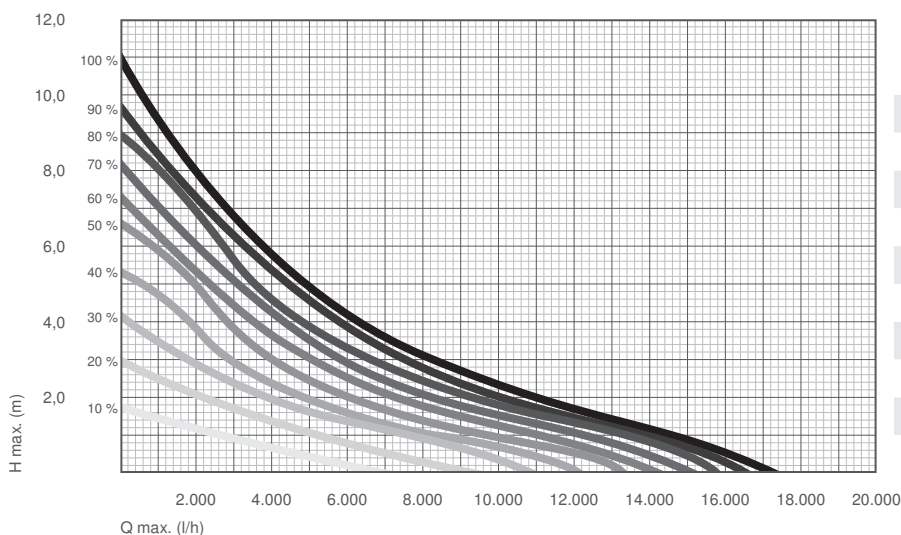
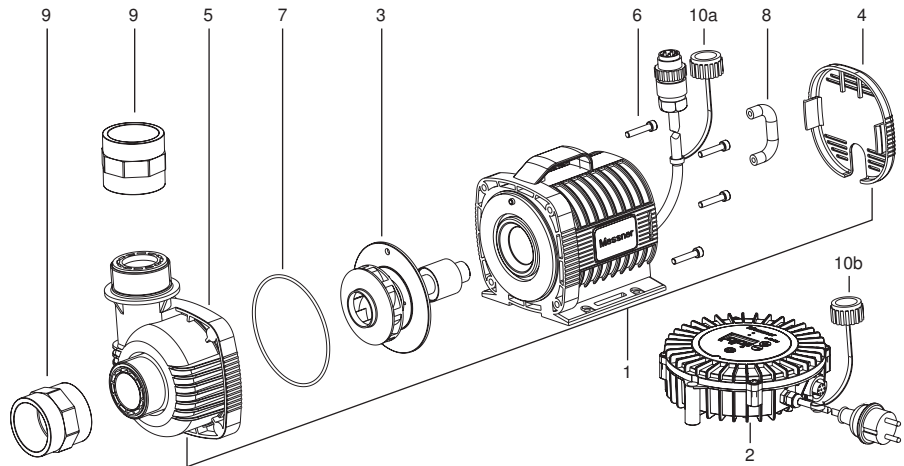
Scope of Delivery

• 2 x Thread gluing socket G 2" - Ø 63 **Art.-No. 116 / 000140**

Accessories optional

• Suction basket G 2" e-finity P-Tec 18 **Art.-No. 168 / 006181**

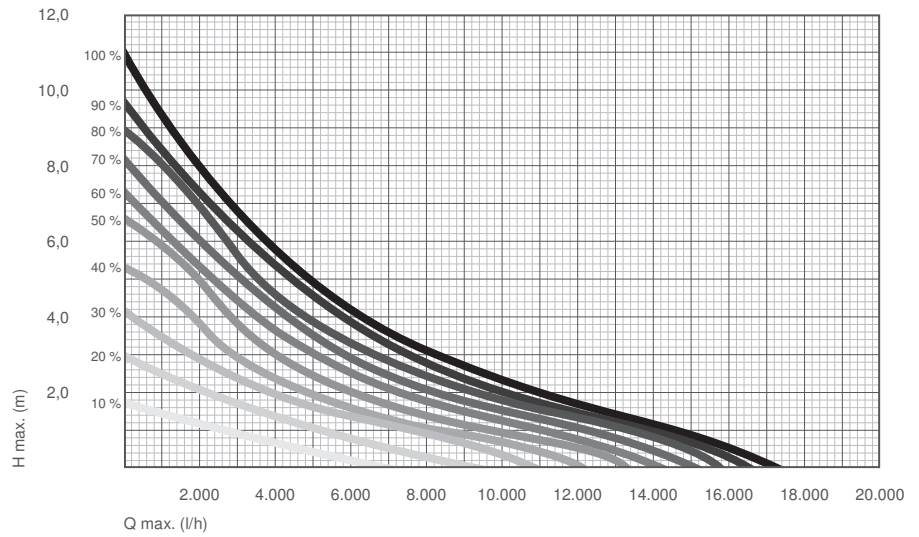
Spare parts	Art.-No.
1	108 / 004883
2	118 / 004884
3	168 / 009187
4	104 / 004851
5	104 / 004887
6	114 / 000116
7	112 / 000075
8	120 / 000004
9	116 / 000140
10a	118 / 000391
10b	118 / 000392



Fountain Pump e-finity P-Tec 18



Controller setting	watts	Qmax. l/h	Hmax. m
100 %	180	17.300	0
		14.840	1,00
		11.050	2,00
		8.220	3,00
		6.140	4,00
		4.560	5,00
		3.620	6,00
		2.850	7,00
		1.950	8,00
		1.200	9,00
		580	10,00
		0	11,00



Controller setting	watts	Qmax. l/h	Hmax. m
90 %	162	16.500	0
		14.160	1,00
		10.260	2,00
		7.560	3,00
		5.580	4,00
		4.100	5,00
		3.040	6,00
		2.500	7,00
		1.680	8,00
		550	9,00
		0	9,70

Controller setting	watts	Qmax. l/h	Hmax. m
80 %	144	15.800	0
		13.400	1,00
		9.250	2,00
		6.800	3,00
		4.990	4,00
		3.600	5,00
		2.580	6,00
		1.870	7,00
		1.300	8,00
		0	9,00

Controller setting	watts	Qmax. l/h	Hmax. m
70 %	126	15.050	0
		12.150	1,00
		8.200	2,00
		5.870	3,00
		4.300	4,00
		3.090	5,00
		2.080	6,00
		1.380	7,00
		200	8,00
		0	8,20

Controller setting	watts	Qmax. l/h	Hmax. m
60 %	108	14.200	0
		11.120	1,00
		7.230	2,00
		4.970	3,00
		3.580	4,00
		2.500	5,00
		1.520	6,00
		150	7,00
		0	7,30

Controller setting	watts	Qmax. l/h	Hmax. m
50 %	90	13.300	0
		9.870	1,00
		6.140	2,00
		4.010	3,00
		2.790	4,00
		1.830	5,00
		1.100	6,00
		0	6,50

Controller setting	watts	Qmax. l/h	Hmax. m
40 %	72	12.150	0
		8.710	1,00
		4.940	2,00
		2.950	3,00
		1.830	4,00
		1.130	5,00
		0	5,30

Controller setting	watts	Qmax. l/h	Hmax. m
30 %	54	10.800	0
		7.700	1,00
		3.860	2,00
		1.860	3,00
		100	4,00
		0	4,20

Controller setting	watts	Qmax. l/h	Hmax. m
20 %	36	9.150	0
		5.370	1,00
		2.080	2,00
		0	3,00

Controller setting	watts	Qmax. l/h	Hmax. m
10 %	18	6.800	0
		2.610	1,00
		0	1,75